

# ***dacor***

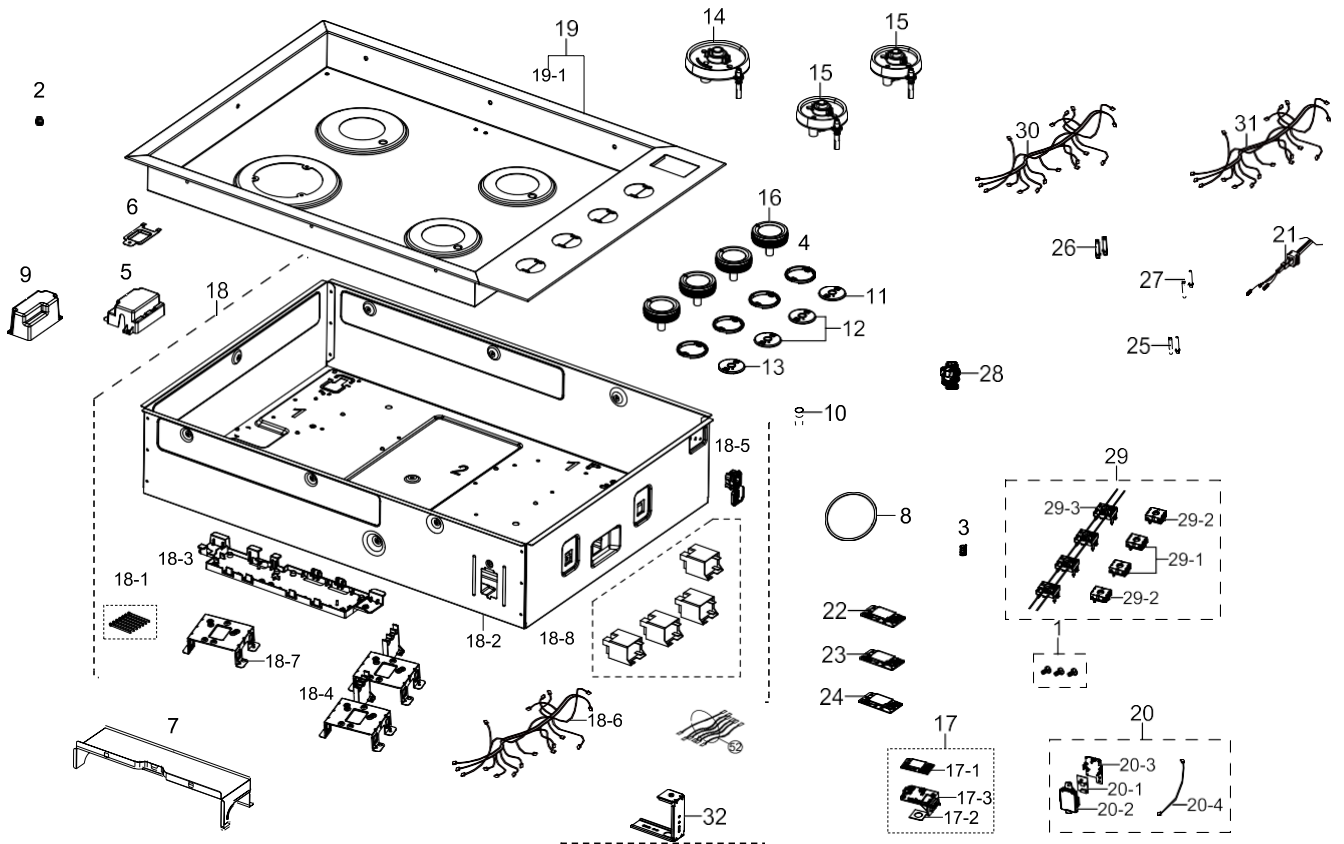
LET THE SHOW BEGIN

## **DTG30M954FS/M**



# 1. DTG30M954FS/DA 0

## Exploded View



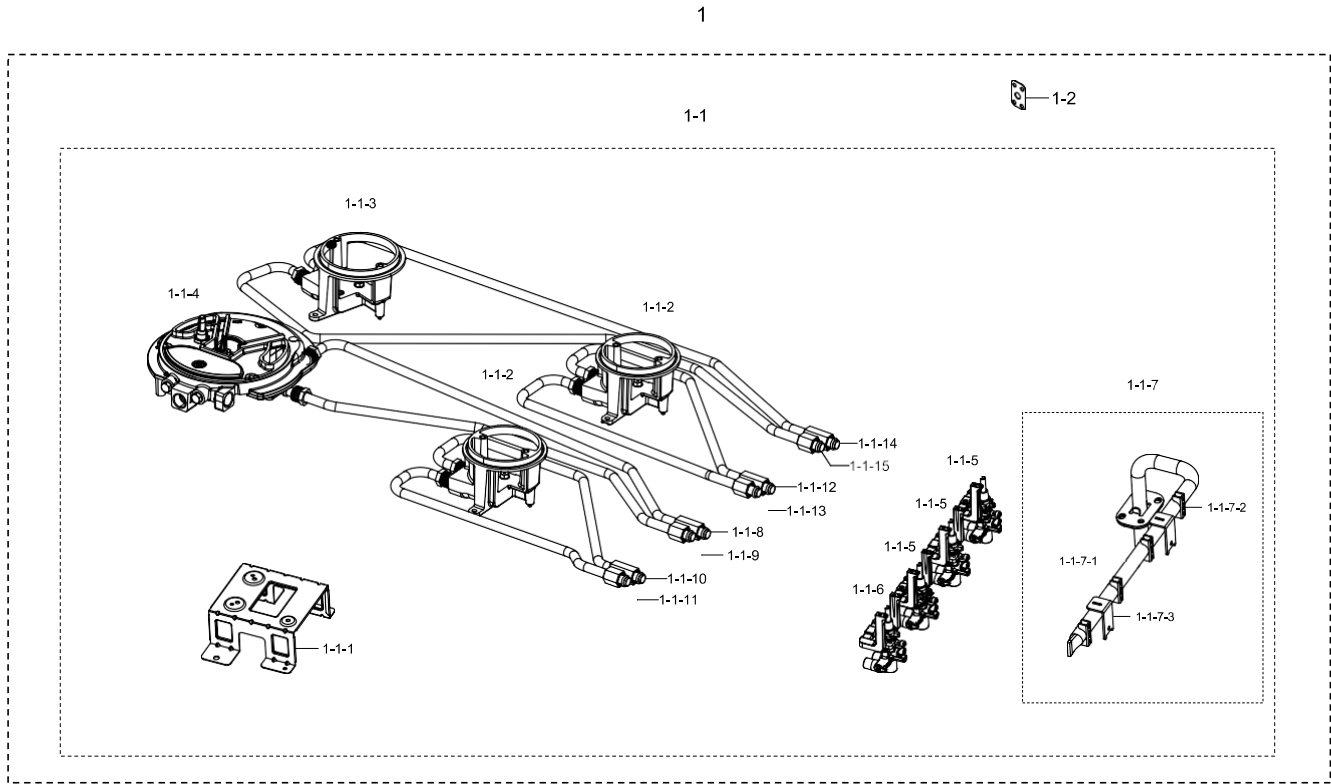
## Parts List

No.	Part Number	Description & Specification	SNA
1	111765	SCREW-MACHINE; FWH,+,WP,M4,L10,NI PLT,SWR	SA
2	111821	HOLDER; NX58F5700WS,BRASS,-,HOLDER ELECTR	SA
3		SPRING ETC; NX58F5700WS,STAINLESS-ST301,	SNA
4		HOLDER KNOB;DTG30M954F*,ZNDC,NA9300K_MOD	SNA
5	111827	HOLDER FILTER; DTG30M954F*,DTG36M955F*,PB	SA
6	113314	COVER-POWER CORD; FX710BGS,GI-SGCC,T1.0,W	SA
7		COVER PCB;	SNA
8	112043	GASKET; NA30K7750TS,SI,T1.0,BLACK,NA9300K	SA
9		COVER WIRE; DTG30M954F*,PBT+GF15%,VO,BLAC	SNA
10		RUBBER; NA36K7750TS,SILICON RUBBER,GRAY,N	SNA
11	111884	RUBBER; DTG30M954F*/ DTG36M955F*,SILICON	SA
12	111883	RUBBER; DTG30M954F*/ DTG36M955F*,SILICON	SA
13	111885	RUBBER; DTG30M954F*/ DTG36M955F*,SILICON	SA
14	111891	ASSY BURNER HEAD-MID(R); DTG30M954*,DTG36	SA
15	111892	ASSY BURNER HEAD-MID(SR); DTG30M954*,DTG3	SA
16	111939	ASSY KNOB; DTG30M954FS,Silver,PC-ABS+Cr	SA
16	111940	ASSY KNOB; DTG30M954FS,Graphite,PC-ABS+Cr	SA
17	122524	ASSY HOLDER PCB-WIFI; Gas cooktopMOD	SNA
17-1	114229	W-LAN MODULE; SWL-CQ52,17K CT,Dacor,IEEE8	SA

17-2	112526	ASSY MODULE; MINI_KNOBLIGHT,NY9900M, NA93	SA
17-3		HOLDER PCB-WIFI; DTG30M954F*,PBT+GF,BLACK	SNA
18		ASSY CASE BURNER; DTG30M954F*,30 INCH	SNA
18-1	110582	CABLE CLAMP; DALF-94-2,Si,150C TEMP	SA
18-2		CASE BURNER; DTG30M954F*,GI-SGCC,T1.0,NA9	SNA
18-3		HOLDER PCB-MAIN; NA30K6550TS,PBT+GF,NA930	SNA
18-4		HOLDER TUBE-B; DTG30M954FS,PBT+GF,BLACK,N	SNA
18-5	111749	COVER WIRE; NW51K7650SS,PP,NATURAL,NW9000	SA
18-6	112029	ASSY WIRE HARNESS-COOKTOP; DTG30M954F,120	SA
18-7		BRACKET BURNER; DTG30M954F*,GI-SGCC,T1.0,	SNA
18-8	112533	ASSY MODULE SPARK; DTG30M954F*,DTG36M955F	SA
19	111941	ASSY FRAME COOK TOP; DTG30M954FS,Silver 3	SA
19	111942	ASSY FRAME COOK TOP; DTG30M954FS,Graphite 3	SA
19-1		ASSY CASE-UP; DTG30M954FS*,DTG36M955FS*,S	SNA
20		ASSY HOLDER PCB; DTG30M954*,DTG36M955*	SNA
20-1	111762	BLUETOOTH MODULE; SBT-CY71/CT,IEEE802.15,	SA
20-2	111823	HOLDER PCB-BLUETOOTH; NA30K6550TS,PBT+GF,	SA
20-3	111851	COVER PCB-BLUETOOTH; NA30K6550TS,PBT+GF15	SA
20-4	112027	ASSY WIRE HARNESS-COMM; DTG30M*, DTG36M,1	SA
21	114230	CBF-POWER CORD; AT,USA,US3F-1,Gray,1000,S	SA
22	111771	ASSY MODULE; STD #2 SMPS,A3050,10W (5V 35	SA
23	112037	ASSY MODULE; ASSY NOISE FILTER,MODERN,KS_	SA
24	111793	ASSY PCB EEPROM; EEP_01,DE92-04036C,NA930	SA
25	111982	ASSY ELECTRODE-DUAL; NA36K7750TS,Dual, L5	SA
26	112018	ASSY ELECTRODE-SINGLE; DTG30M954F*,DTG36M	SA
27		ASSY ELECTRODE-SINGLE; DTG30M954F*,DTG36M	SNA
28	111908	ASSY VALVE-REGULATOR; NA36K7750TS,AL,5"	SA
29	112021	ASSY SWITCH IGNITION; DTG30M954F*,30"INCH	SA
29-1		ASSY MODULE; MINI_KNOBLIGHT,NY9900M, NA93	SNA
29-2	111783	ASSY MODULE; GAS C/TOP_KNOBLIGHT & SWITCH	SA
29-3	112019	ASSY SWITCH IGNITION-SUB; DTG30M954F*,30"	SA
30	112023	ASSY WIRE HARNESS-MAIN; DTG30M954,120VAC,	SA
31	112025	ASSY WIRE HARNESS-DC SIGNAL; DTG30M954F,1	SA
32	111822	BRACKET GUIDE; GI-SGCC,T1.2,NZ9300K	SA
52	703612	Igniter Wires Kit	SA

## 2. ASSY COOKTOP

### Exploded View

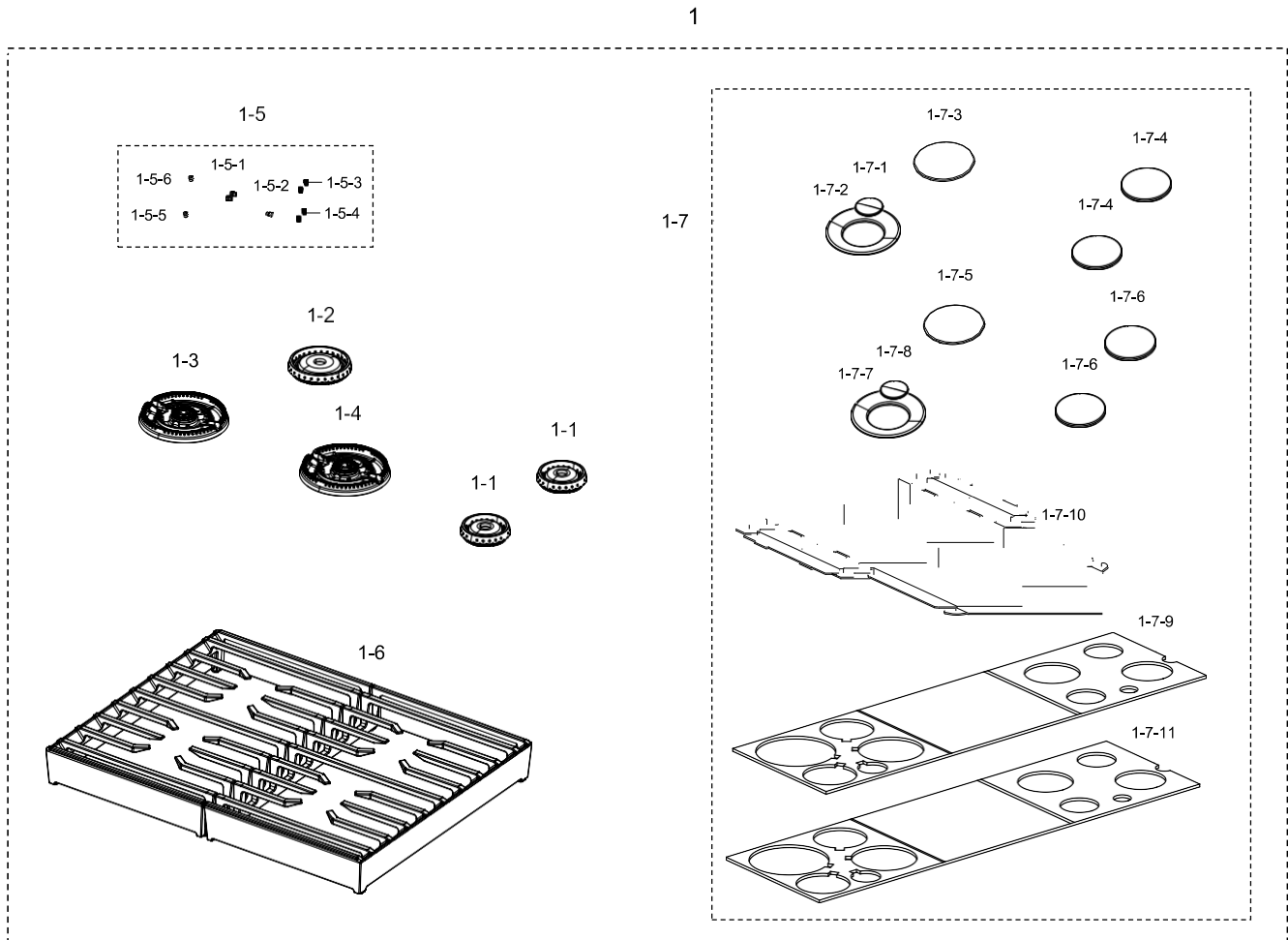


### Parts List

No.	Part Number	Description & Specification	SNA
1		ASSY COOKTOP; DTG30M954F*,30INCH	SNA
1-1	114231	ASSY VALVE MANIFOLD; DTG30M954F*,30"	SA
1-1-1		BRACKET BURNER-DUAL; DTG30M954F*,GI-SGCC,	SNA
1-1-2	111842	BURNER CUP-SINGLE; DTG30M954*,DTG36M955*,	SA
1-1-3	111843	BURNER CUP-SINGLE; DTG30M954*,DTG36M955*,	SA
1-1-4	111844	BURNER CUP-DOUBLE; DTG30M954*,DTG36M955*,	SA
1-1-5	111945	ASSY VALVE DUAL; DTG30M954*,DTG36M955*,SE	SA
1-1-6	111946	ASSY VALVE DUAL; DTG30M954*,DTG36M955*,DU	SA
1-1-7	114231	ASSY VALVE MANIFOLD; DTG30M954F*,30"	SA
1-1-7-1		BRACKET PIPE; NA30K6550TS,CR-SPCC,T2.0,NA	SNA
1-1-7-2		BRACKET GUIDE; NA30K6550TS,CR-SPCC,T1.6,N	SNA
1-1-7-3		BRACKET SUPPORTER; DTG30M954F*,CR-SPCC,T2	SNA
1-1-8	111947	ASSY TUBE; DTG30M954F*,7.94,DUAL LF MAIN	SA
1-1-9	111948	ASSY TUBE; DTG30M954F*,7.94,DUAL LF SUB 3	SA
1-1-10	111949	ASSY TUBE-RIGHT FRONT; DTG30M954F*,7.94,S	SA
1-1-11	111950	ASSY TUBE-RIGHT FRONT; DTG30M954F*,7.94,S	SA
1-1-12	111951	ASSY TUBE-RIGHT REAR; DTG30M954F*,7.94,SE	SA
1-1-13	111952	ASSY TUBE-RIGHT REAR; DTG30M954F*,7.94,SE	SA
1-1-14	111953	ASSY TUBE-LEFT REAR; DTG30M954F*,7.94,RAP	SA
1-1-15	111954	ASSY TUBE-LEFT REAR; DTG30M954F*,7.94,RAP	SA
1-2	114232	GASKET; NA36K7750TS,SI,NATURAL,NA9300K, M	SA

### 3. ASSY ACCESSORY

#### Exploded View



#### Parts List

No.	Part Number	Description & Specification	SNA
1		ASSY ACCESSORY PARTS; NA9300KMOD,Gas	SNA
1-1	111838	BURNER HEAD-SINGLE; BRASS,SEMI RAPID	SA
1-2	111839	BURNER HEAD-SINGLE; BRASS,RAPID	SA
1-3	111840	BURNER HEAD-DOUBLE; BRASS,DUAL LPG	SA
1-4	111841	BURNER HEAD-DOUBLE; BRASS,DUAL	SA
1-5	112014	ASSY NOZZLE KIT; DTG30M954F*,30INCH	SA
1-5-1		NOZZLE DUAL; NX58F5700WS,BRASS,C3661BD, L	SNA
1-5-2		NOZZLE DUAL; NX58F5700WS,BRASS,C3661BD, L	SNA
1-5-3	111845	NOZZLE-SEMI RAPID LP; NA9300K_MOD,BRASS,S	SA
1-5-4	111846	NOZZLE-SEMI RAPID LP; NA9300K_MOD,BRASS,S	SA
1-5-5	111847	NOZZLE-RAPID LP; NA9300K_MOD,BRASS,RAPID	SA
1-5-6	111848	NOZZLE-RAPID LP; NA9300K_MOD,BRASS,RAPID	SA
1-6	112032	ASSY PACKING GRATE; DTG30M954F*,30"INCH M	SA
1-7	112035	ASSY PACKING-BURNER CAP; DTG30M954F*,251X	SA
1-7-1	110431-02	BURNER CAP AUX; NX58H9500WS,CR-SPP,Dia.50	SA
1-7-2	111835	BURNER CAP-DOUBLE; CR-SPP,DUAL 6KW	SA
1-7-3	111836	BURNER CAP-SINGLE; CR-SPP,RAPID stack	SA

Exploded Views and Parts List

---

<b>1-7-4</b>	111837	BURNER CAP-SINGLE; CR-SPP,SEMI-RAPID	SA
<b>1-7-5</b>	111831	BURNER CAP-SINGLE; BRASS,RAPID	SA
<b>1-7-6</b>	111832	BURNER CAP-SINGLE; BRASS,SEMI RAPID	SA
<b>1-7-7</b>	111833	BURNER CAP-DOUBLE; BRASS,DUAL	SA
<b>1-7-8</b>	110431-01	BURNER CAP-DOUBLE; BRASS,SIMMER INNER RIN	SA
<b>1-7-9</b>	111887	PACKING BURNER CAP-BRASS; DTG30M954F*,CB,	SA
<b>1-7-10</b>	111889	PACKING BURNER CAP-BOX; DTG30M954F*,CB,SW	SA
<b>1-7-11</b>		PACKING BURNER CAP; DTG30M954F*,CB,SW3-C	SNA